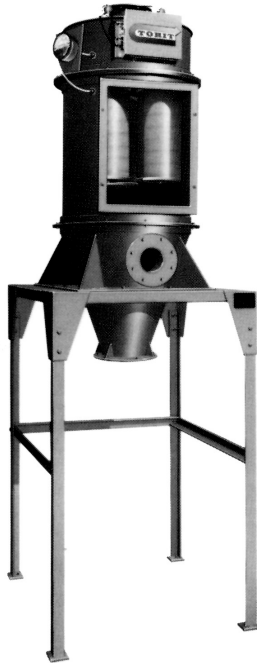


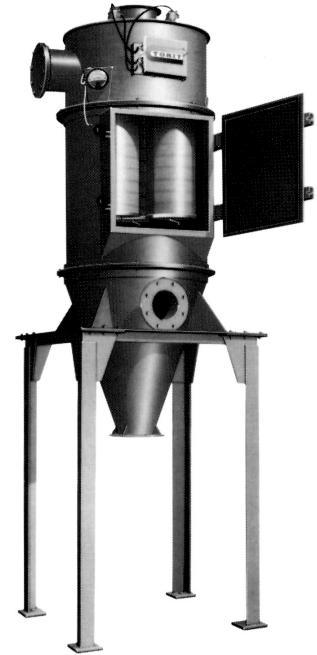
**ULTRA-WEB®**  
High Efficiency Nanofiber Filters Built to Last



**TD-162**



**TD-486**

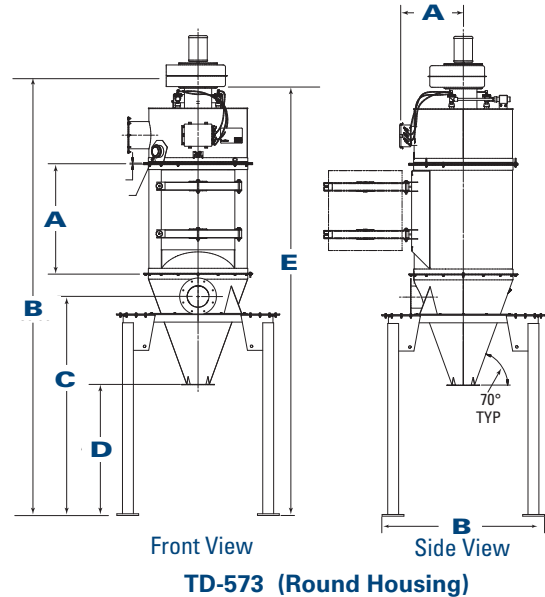
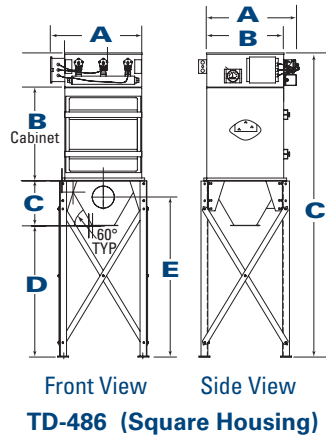
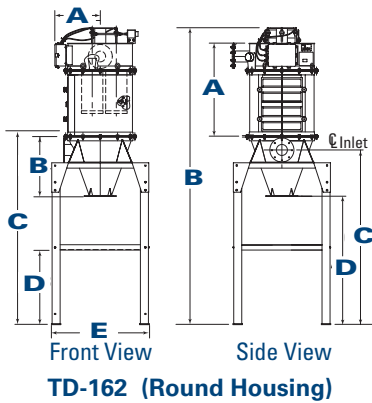


**TD-573**

Standard and high pressure pulse-jet dust collectors provide on-line filter cleaning allowing continuous-duty operation.

- Ultra-Web® cartridge filters featuring nanofiber technology optimize high filtration efficiency and long filter life
- MERV\* 15 filtration efficiency rating per ASHRAE 52.2-2007
- The compact design is ideal for bin venting applications where space is at a premium
- Lower operating pressure drop reduces energy costs
- Optional tangential inlet on round TD housings preseparates dust for high-loading applications
- Provides a cleaner work environment for maximum productivity
- Helps support OSHA Clean Air Standards

## DIMENSIONS & SPECIFICATIONS



Model	Dimensions																	
	Front View										Side View							
	A		B		C		D		E		A		B		C		D	
	in	mm	in	mm	in	mm	in	mm	in	mm	in	mm	in	mm	in	mm	in	mm
TD-162	17.2	436.4	23.8	605.5	71.5	1816.9	27.9	708.2	36.5	927.1	25.1	636.5	110.1	2797.0	62.5	1587.5	45.2	1147.6
TD-486	33.4	847.9	34.0	863.6	16.5	419.1	48.0	1219.2	58.5	1485.9	32.8	831.9	38.1	968.2	111.3	2825.8	-	-
TD-573	40.3	1022.4	139.7	3547.9	80.4	2041.7	48.0	1219.2	157.1	3989.3	23.4	594.4	59.6	1514.3	-	-	-	-

Model	Nominal Airflow**		Ultra-Web® Filter Area		No. of Filters	No. of Valves	Housing Rating		Shipping Weight	
	cfm	m³/h	ft²	m²			in. of H₂O	mm of H₂O	lb	kg
TD-162	300 - 400	510 - 579	180	16.7	3	3	-220	-5588	450	204.1
TD-486	700 - 1500	1189 - 2548	540	50.2	9	3	±20	±508	500	226.8
TD-573	1000 - 1100	1699 - 1869	510	47.4	3	3	-220	-5588	1350	612.3

## EQUIPMENT OPTIONS

Cartridge filter options: <ul style="list-style-type: none"> <li>• Ultra-Web FR (MERV 15)</li> <li>• Fibra-Web® (MERV 14)</li> <li>• Ultra-Web SB (MERV 15)</li> <li>• Torit-Tex™ (MERV 16)</li> <li>• Ultra-Tek® (MERV 12)</li> </ul>	Hopper discharge <ul style="list-style-type: none"> <li>• Slide gate pack</li> <li>• 5-Gallon (141.7 Liter) pail pack</li> <li>• 55-Gallon (15,59.2 Liter) drum cover</li> <li>• Rotary airlock</li> </ul>
1, 2, 3, 5, 7.5, and 10 hp blowers	Magnehelic®† gauge
Solid-state timer	Photohelic®† gauge
Adjustable damper (blower)	Bolt-on support legs
Explosion vents	Inlet adapters

\* The Minimum Efficiency Reporting Value (MERV) of this filter cartridge has been determined through independent laboratory testing using ASHRAE 52.2 (2007) test standards. The MERV rating was determined at a face velocity of 118 feet per minute (36.0 meters per minute) and loading up to four inches (101.6 mm) water gauge. Actual efficiency of any filter cartridge will vary according to the specific application parameters. Dust concentration, airflow, particle characteristics, and pulse cleaning methods all affect filtration efficiency.

\*\* Based on clean filters.

† Magnehelic® and Photohelic® are registered trademarks of Dwyer Instruments, Inc.

Significantly improve the performance of your collector with genuine Donaldson Torit replacement filters and parts. **Call Donaldson Torit today 800-365-1331.**



Tel 800-365-1331 (USA)  
Tel 800-343-3639 (within Mexico)

donaldsontorit@donaldson.com  
donaldsontorit.com

Donaldson Company, Inc.  
Torit  
P.O. Box 1299  
Minneapolis, MN  
55440-1299 U.S.A.

**EXACTLY WHAT YOU NEED.™**

TD Dust Collector (04/14)

© 2000 Donaldson Co., Inc. All Rights Reserved. All products, product specifications, and data (airflow, capacity, dimensions, or availability) are subject to change without notice, and may vary by region or country. Donaldson Torit and Ultra-Web are registered trademarks of Donaldson Company, Inc. Contains Donaldson proprietary technology.